

Coffee System

TANGO ACENTSELF, 1 group full-automatic machine

ITEM # _____

MODEL # _____

NAME # _____

SIS # _____

AIA # _____


602561
(TANGOACENTSELF)

Full-automatic machine, 1 group, 220x40 ml espresso cup/hr, 6,5 liter steam/coffee boiler, 1x1,7 kg coffee hopper for beans, 0,8-1,5 kg hopper for powder, hot water

Short Form Specification

Item No. _____

The super automatic multi-products Tango® ACE MT takes advantage of the reliability, usability and exceptional extraction quality that has established the reputation of the TANGO® range, and the ability to work with powdered products such as cocoa. In its Self version, the Tango® ACE comes with lockers for beans and powder products hoppers and waste coffee drawer, it has no steam outlet neither ground coffee box for security reason. The Tango® ACE MTSelf version is ideal for using in all self-service areas with its self-explanatory 7" color touch screen user interface easy to use.

 Delivery capacity:
 Espresso 40ml: 220 cups/h
 Lungo 100ml: 150 cups/h
 Hot water: 30 L/h

Main Features

- 1 group full-automatic machine with self service configuration.
- 6.5 liter steam/coffee boiler.
- Auto cleaning program.
- Programmable hot water.
- Tango® ACE comes with lockers for beans and powder products hoppers and waste coffee drawer, it has no steam outlet neither ground coffee box for security reason.
- The super automatic multi-products Tango® ACE MT takes advantage of the reliability, usability and exceptional extraction quality that has established the reputation of the TANGO® range, and the ability to work with powdered products such as cocoa.
- The Tango® ACE MT Self version is ideal for using in all self-service areas with its self-explanatory 7" color touch screen user interface easy to use.
- Delivery capacity:
 Espresso 40ml: 220 cups/h
 Lungo 100ml: 150 cups/h
 Hot water: 30 L/h

Construction

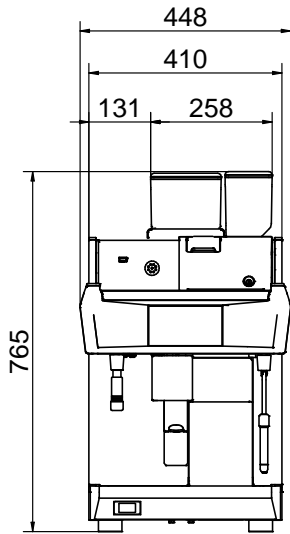
- 1 x 1,7 kg coffee hopper & coffee grinder + (0,8 at 1,5) kg hopper for powder.
- LCD Touchscreen.
- PID (proportional-integral-derivative) Temperature control: a precise controller algorithm system that gives consistency and accuracy to brewing temperature management system.
- Safety locks.

Optional Accessories

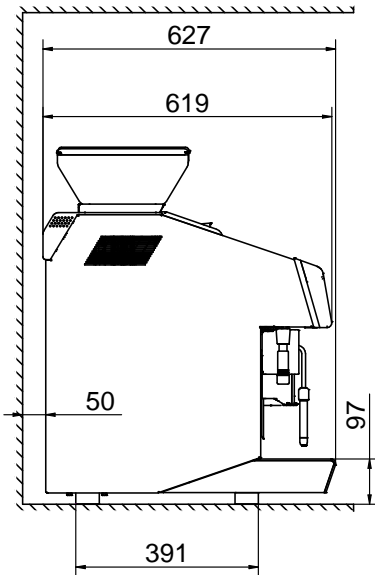
- Side milk refrigerator 8 liter nominal capacity for up to 4 liter milk containers PNC 871014
- Side milk refrigerator 8 liter nominal capacity for up to 4 liter milk containers with digital display PNC 871015
- TANGO hotel/breakfast service kit PNC 871022
- Coffee ground direct discharge chute PNC 871023
- Raised feet kit PNC 871041

APPROVAL: _____

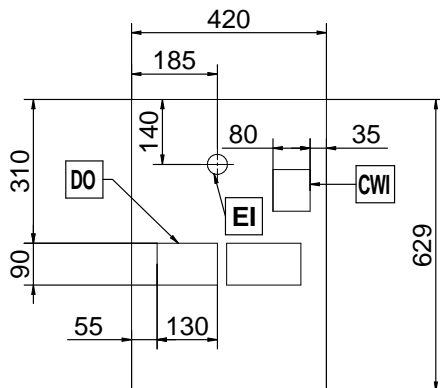
Front



Side



Top



Electric

Supply voltage:

602561
(TANGOACENTSELF) 400 V/3N ph/50 Hz

Electrical power max.:

5.2 kW

Plug type:

Cable without plug

Water:

Cold water temperature (min/max):

5 / 60 °C

Key Information:

External dimensions, Width: 448 mm

External dimensions, Depth: 627 mm

External dimensions, Height: 766 mm

ISO 9001; ISO 14001; ISO 45001; ISO 50001 kg

Net weight:

Shipping volume:

0.69 m³

Sustainability

Current consumption:

14.5 Amps